

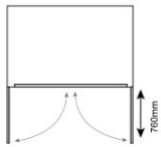
SafeStore Clydesdale Mini Secure Storage Unit

- * Size: 1524mm (5ft) wide x 1066mm (3ft 6in) deep
- * Colours available: Green, Dark Grey or Ivory
- * Accessories available: timber floor kit, shelf, hooks, tool rail, universal ramp, adjustable hanging bike rack, heavy duty ladder and tool rack, LED sensor lights (240mm or 600mm)

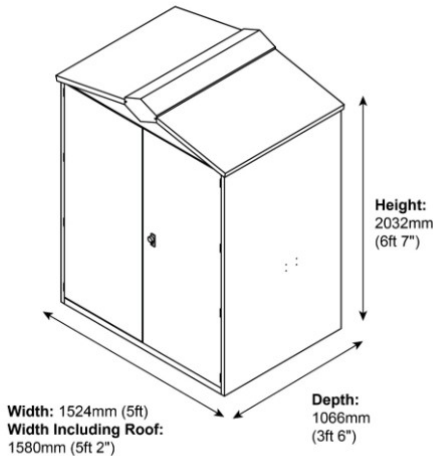


External Dimensions

Weight:
250kg (39.3 stone)
Door Aperture:
1690mm (5ft 6") x
1420mm (4ft 7")



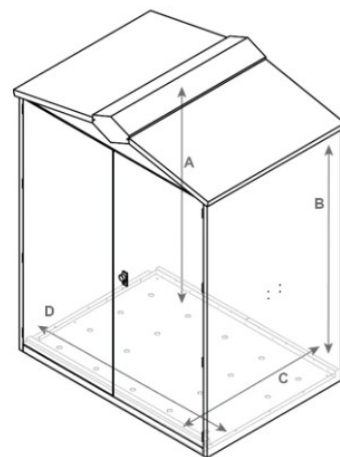
Door Clearance
760mm (2ft 6")



Internal Dimensions

A. Internal Height (to apex):
1980mm (6ft 6")
B. Internal Height (to eaves):
1820mm (5ft 11")
C. Internal Depth:
1006mm (3ft 3")
D. Internal Width:
1460mm (4ft 9")

*Please note, if the optional wooden subfloor is selected with this product the internal height measurement will decrease by approximately 50mm



* 10 year warranty

* 250kg in weight (39.3 stone)

* Designed and made in the UK

* 2 Keys

* Reinforced hinges, panels, doors and handle lock system

* Made from rust-resistant galvanised weatherproof steel